



LEGEND™ Heavy-Duty Gas 36" (914mm) Counter-Top Hot-Top Models

Item No. _____

Project _____

Quantity _____



Model C36-9A shown

SHORT/BID SPECIFICATION

Counter-Top unit shall be a Montague **Legend** Heavy Duty Hot-Top Model: **C36__** plus suffix:

- 9E** for three 12" wide x 31" (305 x 787mm) deep Hot Tops, with cast iron precision ground plate and individual EVEN HEAT 20,000 BTU/hr burners; or
- 9G** for three 12" wide x 31" (305 x 787mm) deep Hot Tops, with cast iron precision ground plate and individual GRADIENT HEAT 18,500 BTU/hr burners; or
- 9A** for two 18" wide x 31" (457 x 787mm) deep French Tops with individual 35,000 BTU/hr burners with ring and cover in front of cast iron plate; or
- 9ASE** for two 18" wide x 31" (457 x 787mm) deep Hot Tops, with cast iron precision ground plate and two individual EVEN HEAT 20,000 BTU/hr burners; or
- 15** for one 18" wide x 31" (457 x 787mm) deep Hot Top positioned left, with cast iron precision ground plate and individual EVEN HEAT 20,000 BTU/hr burners, and one 18" (457mm) wide French Top with individual 35,000 BTU/hr burner with ring and cover in front of cast iron plate - positioned right; or
- 16** for one 18" wide x 31" (457 x 787mm) deep Hot Top positioned right, with cast iron precision ground plate and two individual EVEN HEAT 20,000 BTU/hr burners, and one 18" (457mm) wide French Top with individual 35,000 BTU/hr burner with ring and cover in front of cast iron plate — positioned left;

...mounted on a 36" (914mm) wide heavy duty base with stainless steel front, 4" (102mm) high flue riser, 3" (76mm) deep front rail and 4" (102mm) legs standard; plus all the features listed and options/accessories checked:

EVEN HEAT HOT TOP FEATURES:

12" or 18" wide x 31" deep (305 or 457 x 787mm) Even Heat hot top(s) with:

- Heavy cast iron precision ground plate
- EVEN HEAT 20,000 BTU/hr burner
- Heat transfer studs cast in plate bottoms

MODEL GUIDE				
✓	Model No.	Top Sections/Configuration		
		Overall Width	EVEN HEAT	French-Top
	C36-9E	36" (305mm)	Three 12" wide	
	C36-9G	36" (305mm)	Three 12" wide	
	C36-9A	36" (305mm)		Two 18" wide
	C36-9ASE	36" (305mm)	Two 18" wide	
	C36-15	36" (305mm)	One 18" wide-left	One 18" wide-right
	C36-16	36" (305mm)	One 18" wide-right	One 18" wide-left

- 2" (51mm) side and front flanges isolate heat under plate

GRADIENT HEAT HOT TOP FEATURES:

12" or 18" wide x 31" deep (305 or 457 x 787mm) Even Heat hot top(s) with:

- Heavy cast iron precision ground plate
- Front fired GRADIENT HEAT 18,500 BTU/hr burner
- Heat transfer studs cast in plate bottoms
- 2" (51mm) side and front flanges isolate heat under plate

FRENCH-TOP FEATURES:

18" wide x 31" deep (457 x 787mm) French-Top with:

- Heavy cast iron precision ground plate with:
- Front-positioned removable ring & cover
- Front fired, banjo-type 35,000 BTU/hr burner
- Heat transfer studs cast in plate bottom
- Sloped, brick-lined flues for better heat transfer
- Drip pan positioned under burners

STANDARD BASE CONSTRUCTION:

- Satin finish stainless steel front, with 3" (76mm) deep front rail
- Stainless steel exterior bottom
- Stainless steel 4" (102mm) rear flue riser
- 4" (102mm) adjustable nickel finish legs
- 1-1/4" front gas manifold with 1/2 union on each end

AGENCY APPROVALS

- NSF Listed
- ETL Design Certified to ANSI Z83.11 • CSA 1.8
- CE Approved • EN 203-1



HDCS-7 [Rev. 1/13]

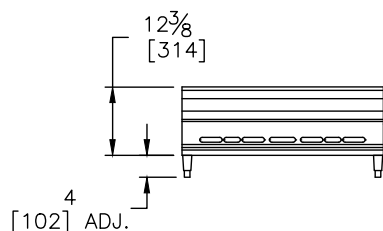
LEGEND™ Heavy-Duty Gas 36" (914mm) Counter-Top Hot-Top Models

Item No. _____

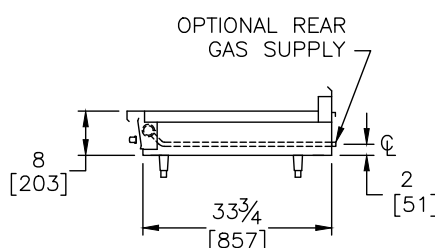
Project _____

Quantity _____

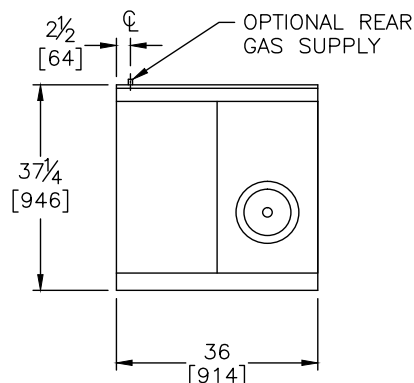
Dimensions in brackets are millimeters



FRONT VIEW



RIGHT SIDE VIEW



TOP VIEW

OPTIONS GUIDE:

General:

- 18" (457mm) high riser
- 6" (152mm) wide stainless steel plate shelf
- Equipment Stand [Consult Factory]

Flex Connector Kit [1" NPT:

- 3' (914mm) 4' (1219mm)

Security Options/Prison Package

[Consult Factory]

Controls: [see Heavy Duty option page HDS-44]

- Electronic rangetop pilot ignition

- Flame failure rangetop safety valves
- Electronic rangetop pilot ignition & flame failure rangetop safety valves

Manifolds:

[Specify left or right rear with pressure regulator]:

- 1" NPT up to 400,000 BTU/hr

Manifold Cap:

- left side right side

Stainless Manifold Cover:

- left side right side

Finish:

- Stainless steel back panel

- Stainless steel side panels:

- left side right side

Special Finish

[Consult Factory]

International Approvals:

- CE - Conformance Européenne - EN203-1
Includes flame failure valve option
- AGA - Australian Gas Association - AS 4563
Includes flame failure valve option
- Canadian Approval

INSTALLATION REQUIREMENTS & SHIPPING INFORMATION

1. Counter-Top Unit must be installed in accordance with local codes or in their absence with the National Fuel Gas Code: ANSI Z223.1; Natural Fuel Gas Code: CAN/CGA-B149.1 or Propane Installation Code: CAN/CGA-B149.2, as applicable. Compliance with codes is the responsibility of the Owner and Installer.
2. An adequate ventilation system is required. Refer to National Fire Protection Association Standard No. 96, "Vapor Removal from Cooking Equipment."
3. This appliance is intended for commercial use by professionally trained personnel. NOT intended for Residential Use.
4. Specify installation elevation: _____ if above 2000 feet (610m).
5. GAS INLET SIZE (All Models): 1-1/4 (32mm) front manifold with 1/2 union on each end provided for battery connection. A properly sized gas pressure regulator must be furnished by the Installer.
6. The incoming gas line pressure into the regulator should be 8"-14" w.c. for natural gas, and 12"-14" w.c. for propane gas.

Minimum Clearances	Combustible Construction	Noncombustible Construction
From Back Wall	2" (51mm)	0"
Left & Right Side	6" (152mm)	0"
With or without 4" (102mm) legs	Suitable for installation on non-combustible counters ONLY	

Models:	Burners	Specify Type of Gas:		Shipping Weight	Shipping Class	Cube (Crated) ft ³ /m ³
		<input type="checkbox"/> Natural	<input type="checkbox"/> Propane			
Manifold Pressure:		6.0" WC	10.0" WC			
		BTU/hr (kW)	BTU/hr (kW)			
C36-9E	3	60,000 (17.8)	60,000 (17.8)	375 lbs (170 kg)	85	14/.4
C36-9G	3	60,000 (17.8)	60,000 (17.8)	375 lbs (170 kg)	85	14/.4
C36-9A	2	70,000 (20.5)	70,000 (20.5)	340 lbs (154 kg)	85	14/.4
C36-9ASE	2	80,000 (23.4)	80,000 (23.4)	340 lbs (154 kg)	85	14/.4
C36-15 & 16	2	75,000 (22)	75,000 (22)	340 lbs (154 kg)	85	14/.4



THE MONTAGUE COMPANY

1830 Stearman Avenue, Hayward, CA 94545
800 345-1830 • Fax: 510 785-3342
www.montaguecompany.com

Due to continuous product improvements, specifications are subject to change without notice.

